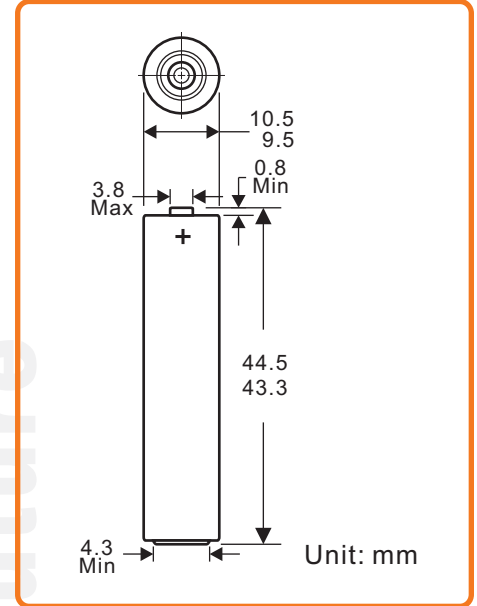


**AAA(LR03)**  
General Features



▶ <b>Designation</b>	IEC-LR03 JIS-AM4 ANSI-24A Others-AAA,E92,MN2400
▶ <b>Chemical system</b>	Alkaline-Manganese Dioxide ※No added Mercury and Cadmium
▶ <b>Nominal Voltage</b>	1.5V
▶ <b>Weight</b>	Approx.11.2g
▶ <b>Terminal</b>	Flat
▶ <b>Storage Temperature Range</b>	-20℃~35℃
▶ <b>Operating Temperature Range</b>	-20℃~54℃
▶ <b>Jacket</b>	Foil Jacket
▶ <b>Shelf Life</b>	4 years(80% of rated capacity)
▶ <b>Standards</b>	IEC60086 2006/66/EC



**Electrical Characteristics**

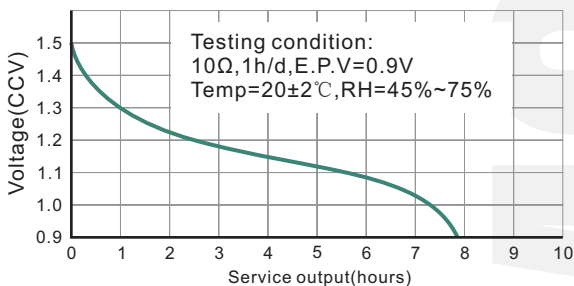
CONDITION	OCV (V)	CCV (V)	SCC (A)
Fresh Battery	1.60	1.50	7.0
After 3 mths	1.59	1.48	6.0
After 12 mths	1.58	1.47	6.0

Test Conditions Load resistance:20Ω±0.5%; Measuring time:0.2S; Temperature:20±2℃

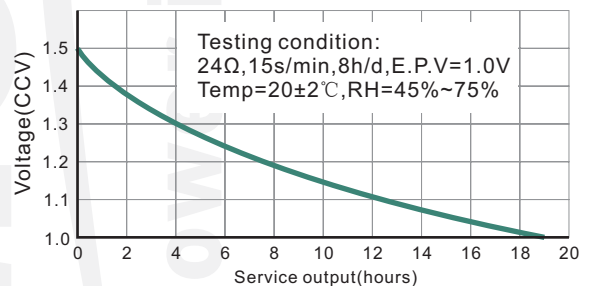
**Discharge Characteristics: (20±2℃,RH:45%~75%)**

Standard	Discharge Condition			Average Discharge Time		
	Discharge Load	Discharge Time	E.P.V.	Fresh Battery	After 12mths	After 36mths
IEC	75Ω	4h/d	0.9V	69.0h	60.0h	56.0h
IEC	10Ω	1h/d	0.9V	7.8h	7.5h	6.8h
IEC	5.1Ω	4m/h,8h/d	0.9V	235min	217min	205min
IEC	600mA	10s/m,1h/d	0.9V	290pulses	250pulses	200pulses
REF	20Ω	24h/d	0.9V	17.0h	16.0h	15.0h

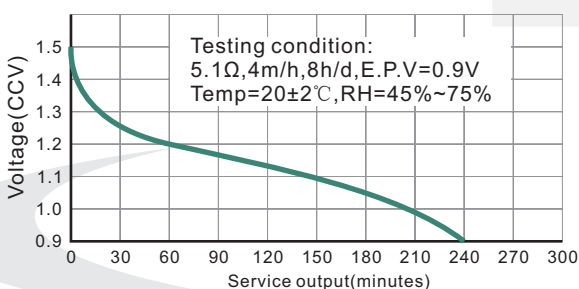
**Constant Resistance Performance**



**Constant Resistance Performance**



**Constant Resistance Performance**



**Constant Current Performance**

