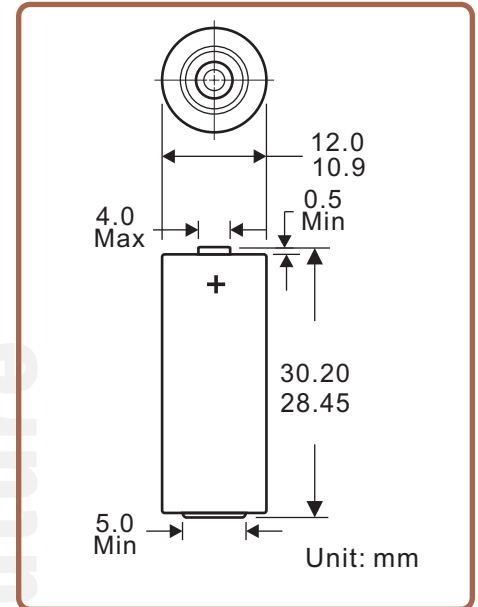


LR1

General Features



▶ Designation	IEC-LR1 JIS-LR1 ANSI-910A others- Am5
▶ Chemical system	Alkaline-Manganese Dioxide ※No added Mercury and Cadmium
▶ Nominal Voltage	1.5V
▶ Weight	Approx.9.0g
▶ Terminal	Flat
▶ Storage Temperature Range	-20°C~35°C
▶ Operating Temperature Range	-20°C~54°C
▶ Jacket	Foil Jacket
▶ Shelf Life	4 years(80% of rated capacity)
▶ Standards	IEC60086 2006/66/EC



Electrical Characteristics

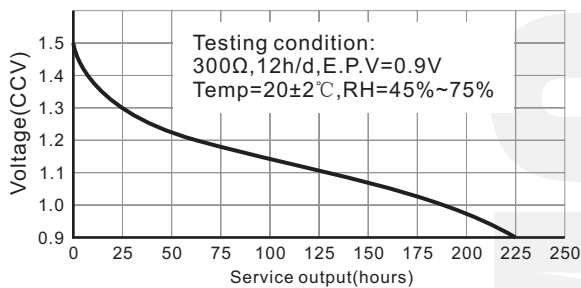
CONDITION	OCV (V)	CCV (V)	SCC (A)
Fresh Battery	1.60	1.40	6.0
After 3 mths	1.58	1.30	5.0
After 12 mths	1.57	1.25	4.5

Test Conditions Load resistance:3.9Ω±0.5%; Measuring time:0.3S; Temperature:20±2°C

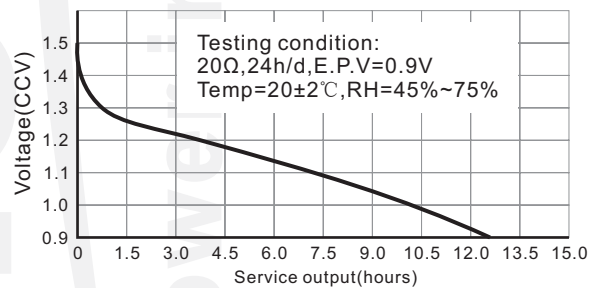
Discharge Characteristics: (20±2°C, RH:45%~75%)

Standard	Discharge Condition			Average Discharge Time		
	Discharge Load	Discharge Time	E.P.V.	Fresh Battery	After 12mths	After 36mths
IEC	300Ω	12h/d	0.9V	220.0h	205.0h	195.0h
IEC	5.1Ω	5m/d	0.9V	145min	120min	105min
IEC	20Ω	24h/d	0.9V	12.5h	11.0h	10.0h

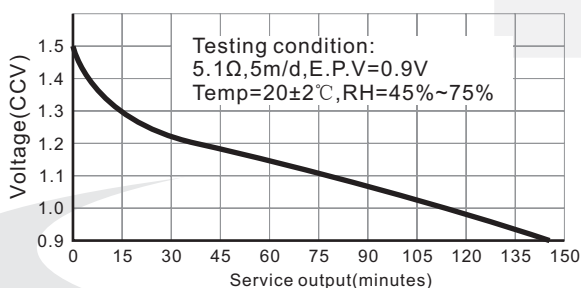
Constant Resistance Performance



Constant Resistance Performance



Constant Resistance Performance



Constant Resistance Performance

