

**C(LR14)**  
General Features

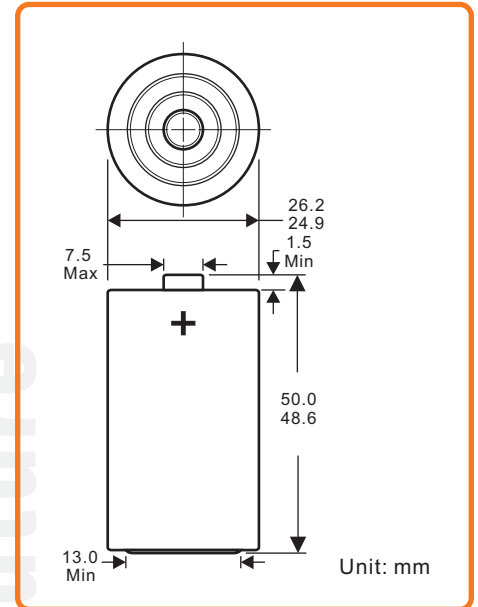


▶ <b>Designation</b>	IEC-LR14 JIS-AM2 ANSI-14A Others-C,E93,MN1400
▶ <b>Chemical system</b>	Alkaline-Manganese Dioxide ※No added Mercury and Cadmium
▶ <b>Nominal Voltage</b>	1.5V
▶ <b>Weight</b>	Approx.68g
▶ <b>Terminal</b>	Flat
▶ <b>Storage Temperature Range</b>	-20℃~35℃
▶ <b>Operating Temperature Range</b>	-20℃~54℃
▶ <b>Jacket</b>	Foil Jacket
▶ <b>Shelf Life</b>	4 years(80% of rated capacity)
▶ <b>Standards</b>	IEC60086 2006/66/EC

**Electrical Characteristics**

CONDITION	OCV (V)	CCV (V)	SCC (A)
Fresh Battery	1.62	1.50	12
After 3 mths	1.60	1.45	10
After 12 mths	1.60	1.45	10

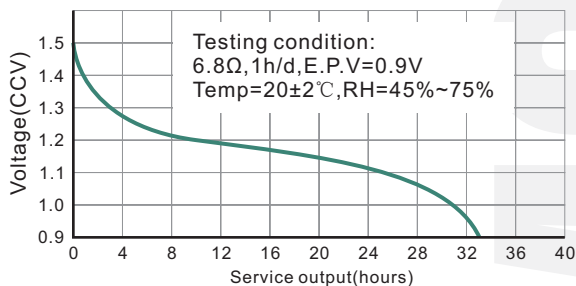
Test Conditions Load resistance:3.9Ω±0.5%; Measuring time:0.2S; Temperature:20±2℃



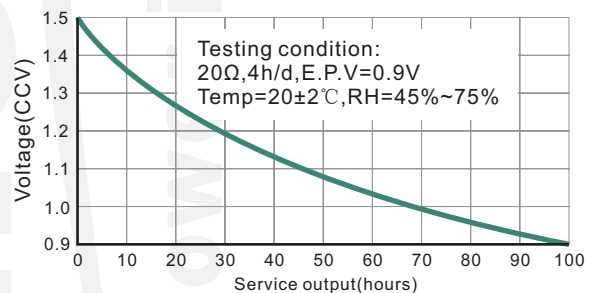
**Discharge Characteristics: (20±2℃,RH:45%~75%)**

Standard	Discharge Condition			Average Discharge Time		
	Discharge Load	Discharge Time	E.P.V.	Fresh Battery	After 12mths	After 36mths
IEC	20Ω	4h/d	0.9V	100h	90.0h	85.0h
IEC	6.8Ω	1h/d	0.9V	33.0h	31.0h	29.0h
IEC	3.9Ω	4m/h,8h/d	0.9V	18.5h	17.0h	16.5h
IEC	3.9Ω	1h/d	0.8V	19.5h	18.0h	17.5h
REF	3.9Ω	24h/d	0.9V	17.5h	16.0h	15.0h

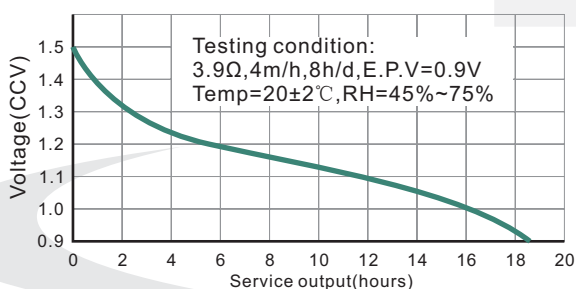
**Constant Resistance Performance**



**Constant Resistance Performance**



**Constant Resistance Performance**



**Constant Current Performance**

