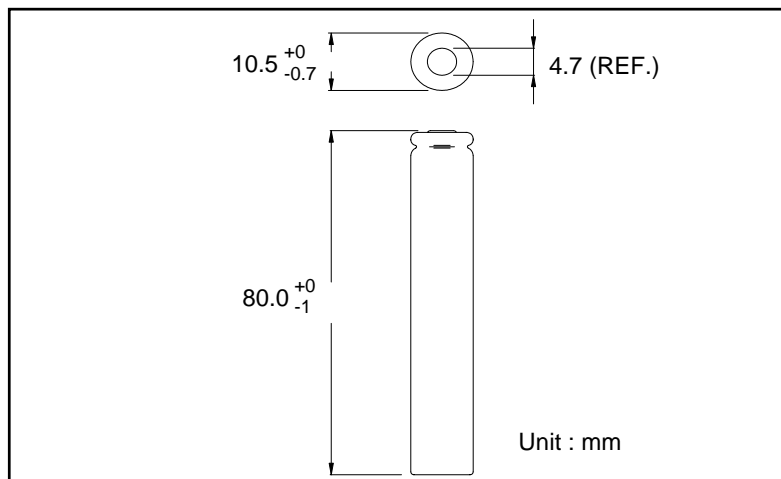


GP Batteries

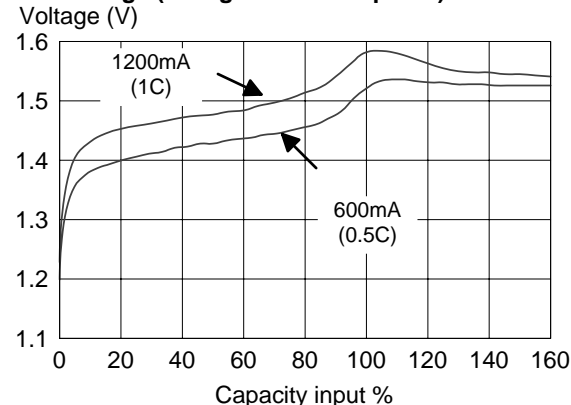
Data Sheet

Model No.: GP120AAALH

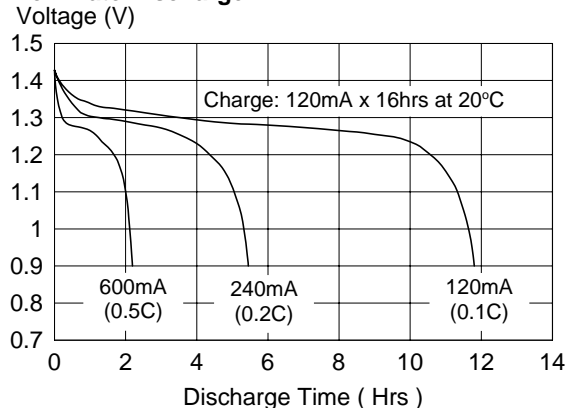
Type	: Rechargeable Nickel Metal Hydride Cylindrical Cell
Nominal Dimension (with Sleeve)	: $\Phi = 10.5\text{mm}$ H = 80.0mm
Applications	: Recommended discharge current 120 to 3600mA
Nominal Voltage	: 1.2V
Capacity	: Minimum: 1200mAh Typical: 1250mAh when discharged at 240mA to 1.0V at 20°C
Charging Condition	: 120mA for 16 hrs at 20°C
Fast Charge	: 600mA to 1200mA (0.5 to 1C) charge termination control recommended control parameters: - ΔV : 0 - 5mV DT/dt : 0.8°C/min (0.5 to 0.9C) : 0.8 - 1°C/min (1C) TCO : 45 - 50°C Timer : 105% nominal input
Service Life	: >500 cycles (IEC standard)
Continuous Overcharge	: 120mA maximum current for 1 year No conspicuous deformation and/or leakage
Weight	: 23.0g
Internal Resistance	: Average 22m Ω upon fully charged (Range 15-30m Ω) at 1000Hz
Max. Charging Voltage	: 1.5V at 120mA charging
Ambient Temperature Range	Standard Charging : 0 to 45°C Fast Charging : 10 to 45°C Discharging : -20 to 50°C Storage : -20 to 35°C



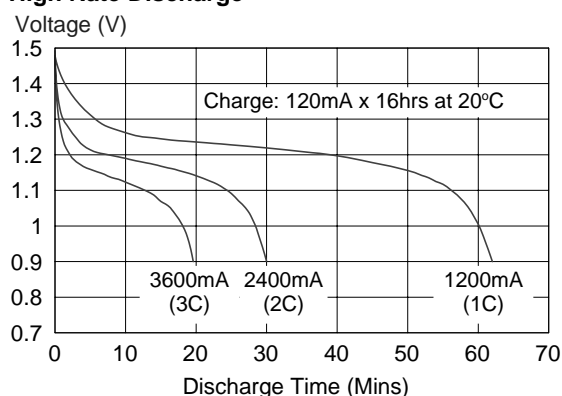
Fast Charge (Charge control required)



Low Rate Discharge



High Rate Discharge



* The information (subject to change without prior notice) contained in this document is for reference only and should not be used as a basis for product guarantee or warranty. For applications other than those described here, please consult your nearest GP Sales and Marketing Office or Distributors.