

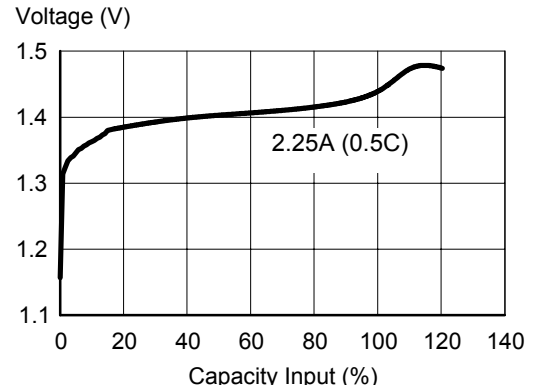
GP Batteries

Data Sheet

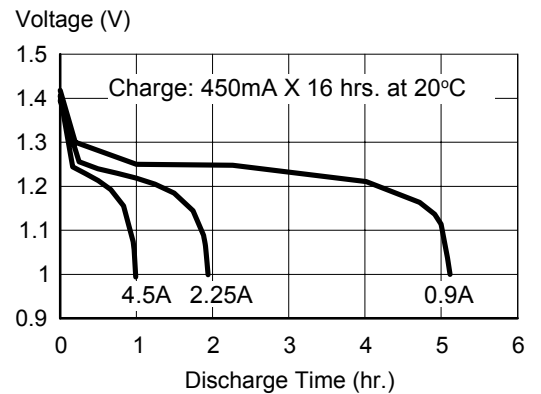
Model No.: 450DH

Type	: Rechargeable Nickel Metal Hydrid Cylindrical Cell	
Model	: GP450DH	
Nominal Dimension (with Sleeve)	: $\varnothing = 33.0\text{mm}$ H = 60.0mm	
Application	: Recommended discharge current 2250mA to 22.5A	
Nominal Voltage	: 1.2V	
Nominal Capacity	: Min.: 4500mAh Typical: 4725 mAh when discharged at 900mA to 1.0V at 20°C	
Charging Condition	: 450mA for 16 hrs at 20°C	
Fast charge	: 0.9A to 2.25A (0.2C to 0.5C) with charge termination control Recommended control parameter: -delta V: 5 - 10mV dT/dt: 0.8 deg. C/min TCO: 40-50 deg. C Timer: 105% nominal input	
Service Life	: >500 cycles (IEC standard)	
Continuous Overcharge	: 450mA maximum current No conspicuous deformation and /or leakage	
Weight	: 130g	
Internal Resistance	: Average 6m Ω upon fully charged (Range : 4-8m Ω) at 1000Hz	
Max. Charging Voltage	: 1.5V at 450mA charging	
Temperature Range	Standard charging	: 0 to 40°C
	Fast charging	: 10 to 45°C
	Discharging	: -20 to 50°C
	Storage	: -20 to 35°C
	Storage (1 week)	: -20 to 60°C

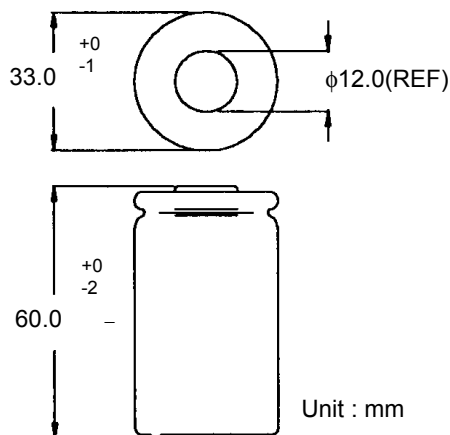
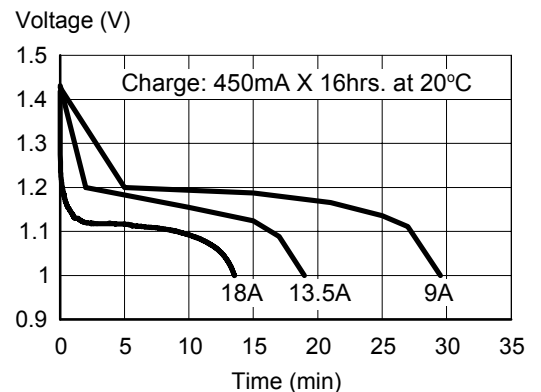
Fast Charge (Charge Control Required)



Low Rate Charge



High Rate Discharge



* The information (subject to change without prior notice) contained in this document is for reference only and should not be used as a basis for product described guarantee or warranty. For applications other than those here, please consult your nearest GP Sales and Marketing Office or Distributors.